

TIP605 16 Interrupt generating Digital Inputs

Application Information

The TIP605 is an IndustryPack® compatible module with 16 digital inputs galvanically isolated by optocoupler. The individual inputs are potential free in relation to each other. A high performance input circuit ensures a defined switching point and polarization protection against confusing the pole.

All inputs have an electronic debounce circuit with a freely programmable debounce time. All inputs can generate an interrupt. The signal edge handling is programmable. For the TIP605 the operating temperature range is -40°C to +85°C.

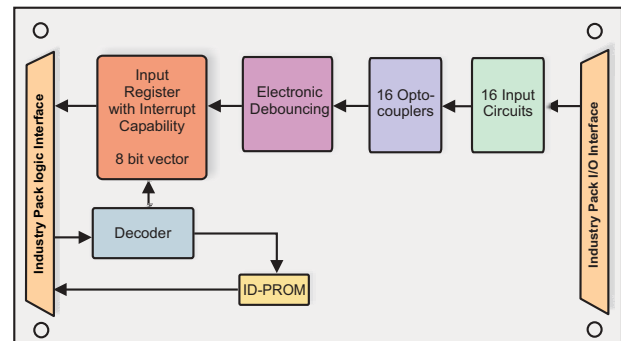


For First-Time-Buyers the engineering documentation TIP605-ED is recommended. The engineering documentation includes TIP605-DOC, schematics and data sheets.

The driver software TIP605-SW-xx provides functions to configure the TIP605, read the input status and connect software events to input state changes.

Technical Information

- Interface according to IndustryPack specification
- Identification-PROM supports auto-configuration
- Single Size IndustryPack
- 16 interrupt generating digital inputs
- 24V signal voltage for inputs, other voltages on request
- Optocouplers for galvanic isolation of input to computer system
- All inputs isolated against each other
- All inputs protected against confusing the pole
- All inputs have an electronic debounce circuit, debounce time is freely programmable
- Operating temperature -40°C to +85°C



Order Information

TIP605-10	16 Interrupt Generating Digital Inputs
TIP605-DOC	User Documentation
TIP605-ED	Engineering Documentation, includes TIP605-DOC
TIP605-SW-12	OS-9 Software Support
TIP605-SW-32	pSOS Software Support
TIP605-SW-42	VxWorks Software Support
TIP605-SW-62	Windows NT 4.0 Software Support
TIP605-SW-72	LynxOS Software Support
TIP605-SW-82	LiNux Software Support
TIP605-SW-92	QNX 4 Software Support
TIP605-SW-95	QNX 6 Software Support